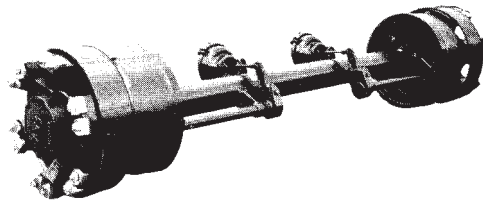


S54 SERIES AXLE

60,000 POUND CAPACITY

K-B Axle Co.

5775 NW WAGON WAY / HILLSBORO, OR 97124-8531 / ph: 866.531.0600 / fx: 503.531.0601



Approx. WT. 2230 lbs.

AXLE BEAM 6" O.D. Solid Steel
Heat-treated 4140

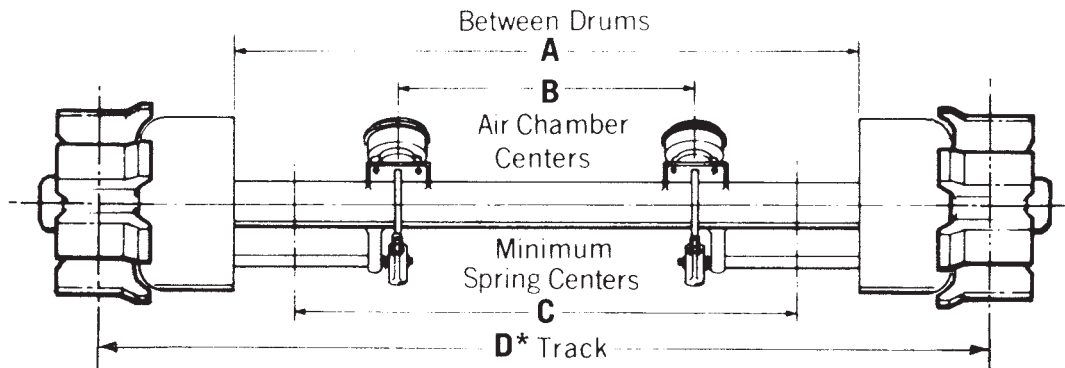
BEARINGS		Cone	Cup
	Inner	938	932
Outer	936	932	

HUBS Steel spoke wheels for dual demountable 14 x 24 or 14 x 25 tires.

BRAKES 20" x 8" x 3/4" FMS 4350 – Other brake sizes available for special application. Contact factory indicating requirements.

FEATURES

- ▶ Completely enclosed camshafts seal dirt out and grease in.
- ▶ Individual, positively locked brake shoe anchor pins for positive, permanent alignment.
- ▶ Brake shoes are of all-steel construction with replaceable bushings.
- ▶ Wheels engineered to meet the most severe operating conditions.



Model No.	Mechanical Air Brake Size	A	B	C	D*	Tire Size	Rim Size	Width Incl. Tires	Camshaft Length
S54	No Brake	—	—	40	90	14 x 24	24 - 10	123 1/2"	26 1/2"
	20 x 8	62 3/8"	22	40	90	14 x 25	25 - 10	123"	

Note: Specify Brake Size and Hub Type when ordering axle assemblies.
* Other Track Widths and Camshaft Lengths are available on request.



S54 SERIES AXLE

60,000 POUND CAPACITY

Brake Size	Hub Type	Wheel Part No.	Brake Shoe Part No.	Brake Block FMS No.	Brake Drum Part No.
20 x 8	Steel Spoke Wheel	KB-6453	KB-6501	4350	6U-20-8

Contact factory for parts list for dual cam brake axle. Furnish model number and date of manufacture.
Banded brake drums available. Add 'B' to brake drum part number when ordering.

Description	Part Number	Description	Part Number
Axle Beam (specify track)	C-10754	Camshaft Lockwasher	11004
Air Chamber Type 36	213	Camshaft Housing Grease Fitting	9803
Air Chamber Bracket	KB-5155-E	Grease Retainer	E-11066
Air Chamber Bracket Washer	E-11168	Grease Retainer Ring	E-7704
Anchor	KB-6502	Hub Cap	KB-3976
Anchor Pin	E-11046	Hub Cap Gasket	D-5747
Anchor Pin Lock	13305	Hub Cap Bolt	14006
Anchor Pin Grease Fitting	9801	Hub Cap Lockwasher	11004
Anchor Bolt	14011	Slack Adjuster	14308
Anchor Bolt Lockwasher	11005	Spindle Nut	KB-5463
Anchor Bolt Nut	11247	Spindle D Washer	D-5164
Brake Shoe Bushing	E-11051	Spindle Nut Cotter Pin	8903
Brake Shoe Roller	E-11219	Wheel and Drum Attaching Bolt	14017
Brake Shoe Roller Pin	E-11220	1" Hardened Washer	15821
Brake Shoe Roller Pin Lock	E-10231	Wheel and Drum Attaching Lockwasher	11006
Brake Return Spring	D-8689	Wheel and Drum Attaching Nut	11260
Brake Block Bolt	14026	Wheel Stud	15401
Brake Block Bolt Lockwasher	11004	Wheel Rim Clamp	8305
Brake Block Bolt Nut	11265	Wheel Camp Nut	11201
Camshaft Washer	E-11221	Heavy Duty Spacer Band	C-11140
Camshaft Seal	E-11226		
Camshaft Spring	E-11222		
Camshaft Retaining Washer	E-11223		
Camshaft Retaining Bolt	14025		

STANDARD PRODUCTION 1¾" DIAMETER CAMSHAFTS AND HOUSINGS

Camshaft Number	Overall Length	Housing Number
P-6497 B – P-6498 B	24¼"	D-11225-2
P-6499 B – P-6500 B	26½"	D-11225-3
P-6508 B – P-6509 B	29½"	D-11225-5

SPECIAL LENGTH CAMSHAFTS AVAILABLE AT EXTRA CHARGE.

Note: Furnish axle model or serial number when ordering replacement parts.